

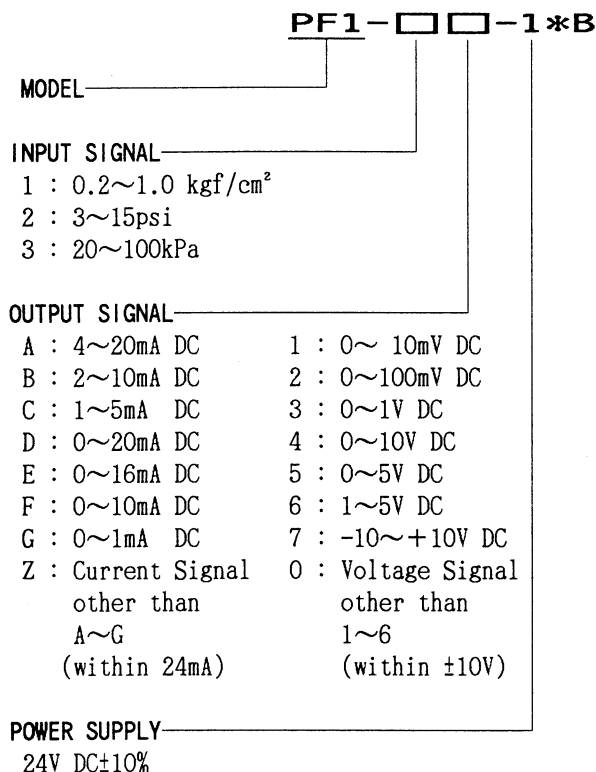
General Specifications

Model PF1 Pneumatic to Electric Converter

JUXTA

This plug-in type P/E transducer inputs 20~100kPa, 0.2~1.0kgf/cm² or 3~15psi pneumatic pressure signal and converts it into various DC current or voltage signal.

- Compact type, high quality by using semiconductor pressure sensor.
- No positional error.

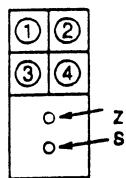


ORDERING INFORMATION

- Model Code : (Example) PF1-1A-1*B
- Custom order when install transducers in direct connecting DSC type nest of P-Rack (Model X017 or X018). Designate output signal Code 6 (1~5V DC) and put /Z at the end of Model Code.
(Example) PF1-□6-1*B/Z

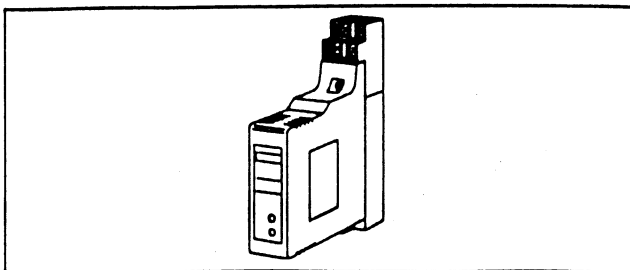
Input & Output	
Input signal : 20~100kPa, 0.2~1.0 kgf/cm ² or 3~15psi	
Permissible input pressure : Less than 200kPa, 2.0 kgf/cm ² or 28psi	
Output signal : DC current or voltage signal	
Permissible load resistance :	
Output Range	Output Range
4~ 20mA DC below 750Ω	0~ 10mV DC over 250KΩ
2~10mA DC " 1500Ω	0~100mV DC " 250KΩ
1~5mA DC " 3000Ω	0~1V DC " 2KΩ
0~20mA DC " 750Ω	0~10V DC " 10KΩ
0~16mA DC " 900Ω	0~5V DC " 2KΩ
0~10mA DC " 1500Ω	1~5V DC " 2KΩ
0~1mA DC " 15KΩ	-10~+10V DC " 10KΩ
Zero point adjust range : ±5% of span	
Span adjust range : ±5% of span	
Standard Performance	
Accuracy rating : ±0.2% of span ±0.5% of span when multi-close mounting.	
Insulation resistance : Over 100MΩ (at 500V DC) between output~power supply	
Voltage withstand : 500V AC/1 minute between output~power supply	
Temperature range : 0~50° C	
Humidity range : 5~90% RH (no condensation)	
Power voltage : 24V DC±10%	
Effect of power voltage fluctuation : Less than ±0.1% of span for 24V DC±10% fluctuation	
Effect of ambient temperature change : Less than ±0.4% of span for 10° C change	
Current dissipation : 24V DC 50mA (1~5V) 80mA (4~20mA)	
Mounting & Dimension & Accessories	
Materials : Case ABC plastic	
Mounting method : Wall mounting	
Signal connection :	
Electric Signal : Front terminal board (M4 screw) for both output signal and power supply	
Pneumatic signal : Pneumatic connection hole Rc1/4 (PT 1/4 femal screw) at lower face of terminal board	
External dimension : 124x24x125mm (HxWxD) including terminal	
Weight : About 270g	
Accessories : Tag number label ... 1	

TERMINAL ARRANGEMENT



1	SUPPLY	+
2	SUPPLY	-
3	OUTPUT	+
4	OUTPUT	-

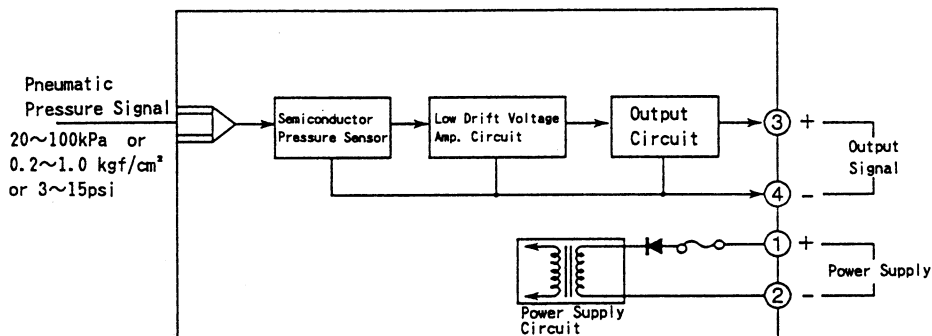
Z: Zero Adjust Trimmer
S: Span Adjust Trimmer



Related Equipment

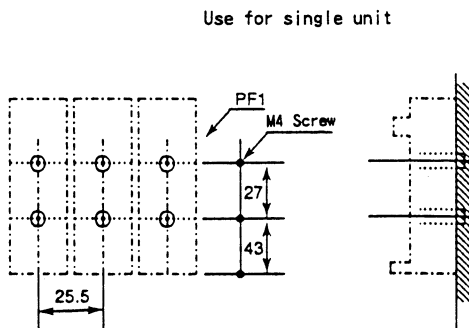
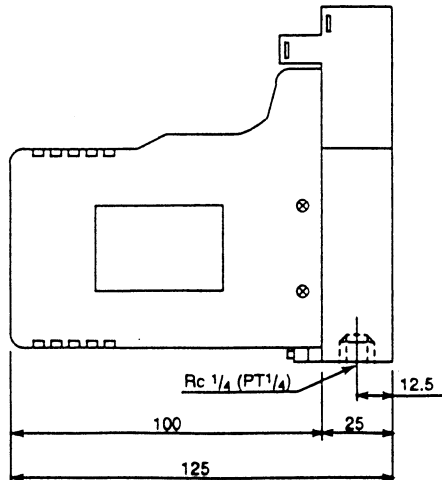
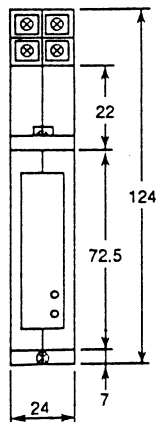
- Use X019 or X020 Mounting Board for multi-close mounting
- Use X017 or X018 P-RACK (connector connecting type nest) to connect to DCS.

BLOCK DIAGRAM



EXTERNAL DIMENSIONS MOUNTING DIMENSIONS

Unit : mm



Subject to change without notice for grade up quality and performance